

6

5

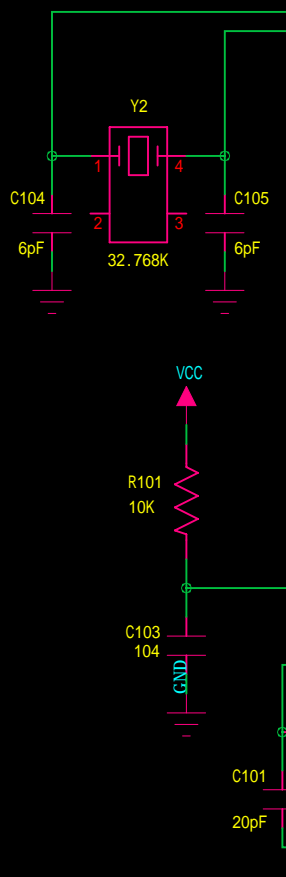
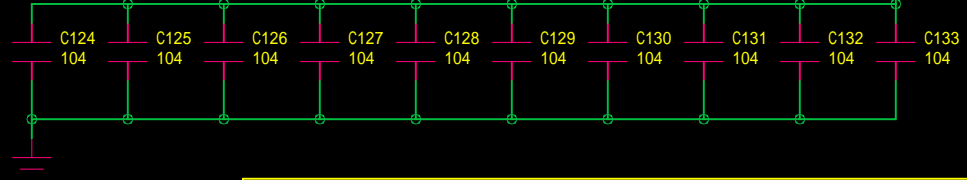
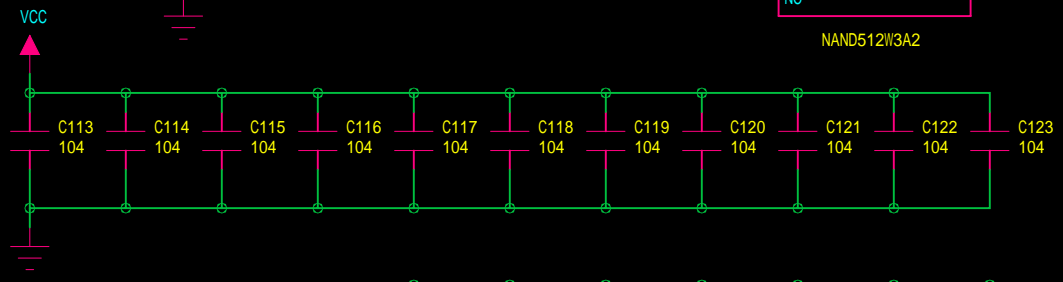
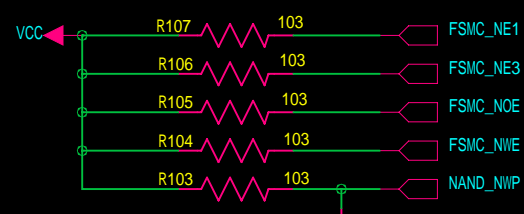
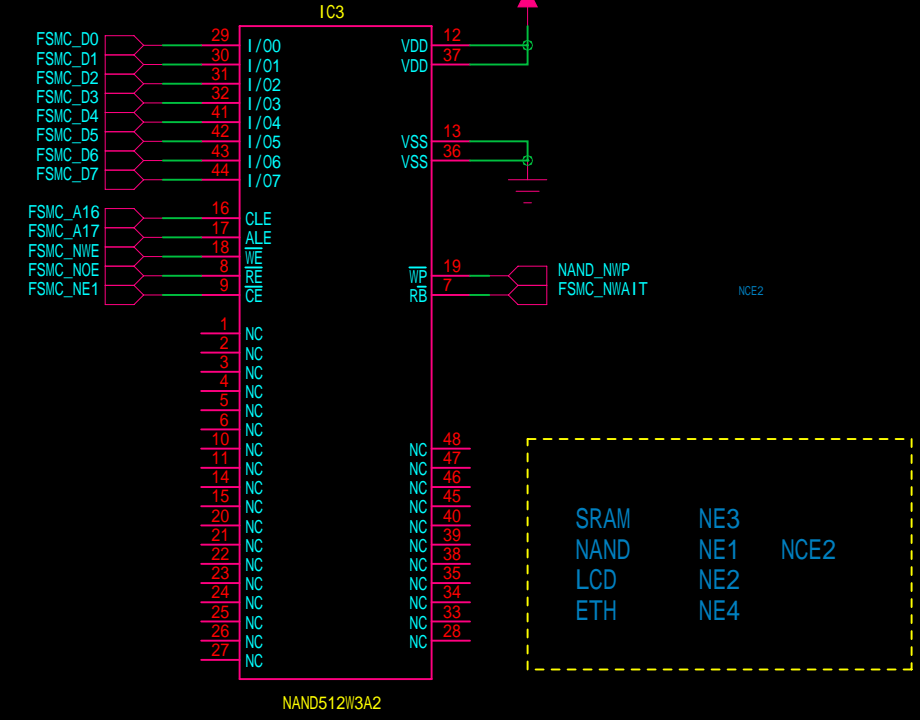
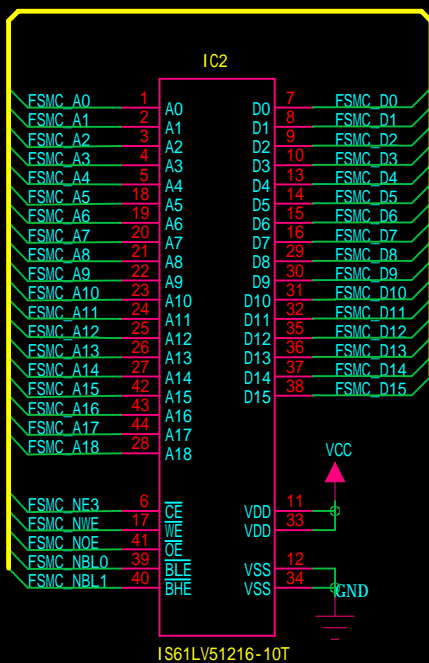
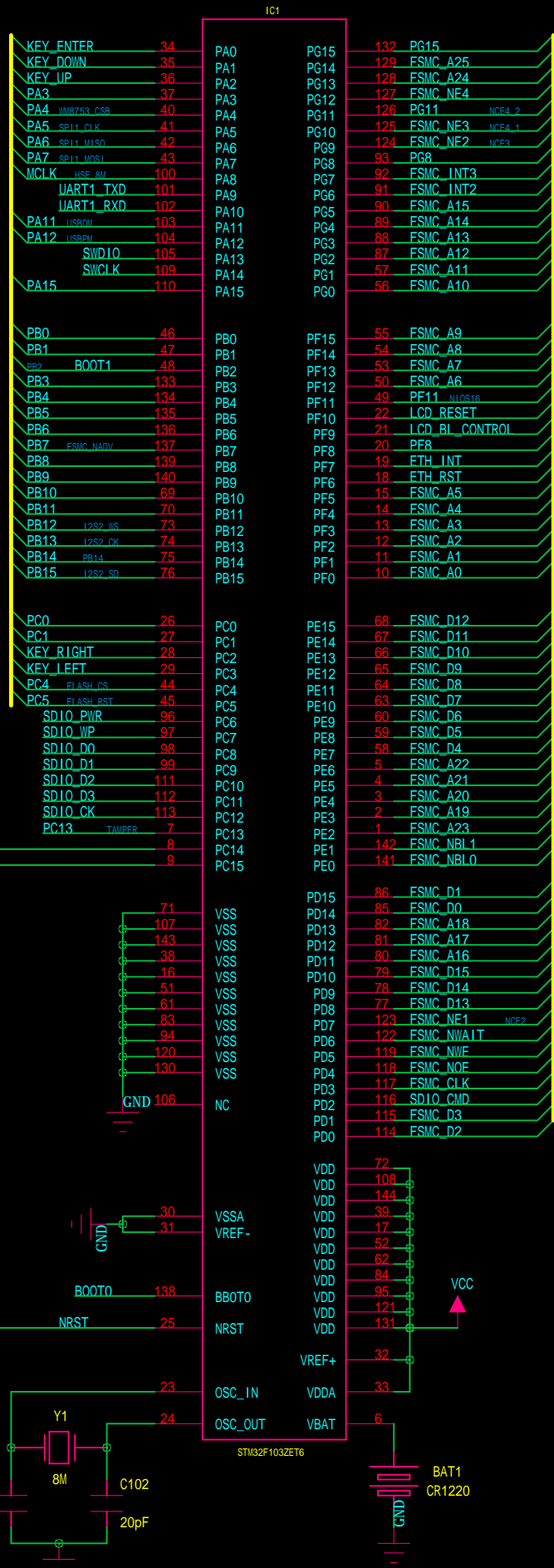
4

3

2

1

REVISION RECORD			
LTR	ECO NO:	APPROVED:	DATE:



COMPANY: <Company Name>			
TITLE: NET_Radio			
DRAWN: <Drawn By>	DATED: 2009-09-06	DRAWING NO:	
CHECKED: <Checked By>	DATED: <Checked Date>	CODE: <Code>	SIZE: A3
QUALITY CONTROL: <QC By>	DATED: <QC Date>	REV: 1.0	
RELEASED: <Released By>	DATED: <Release Date>	SCALE: <Scale>	SHEET: 1 OF 5

6

5

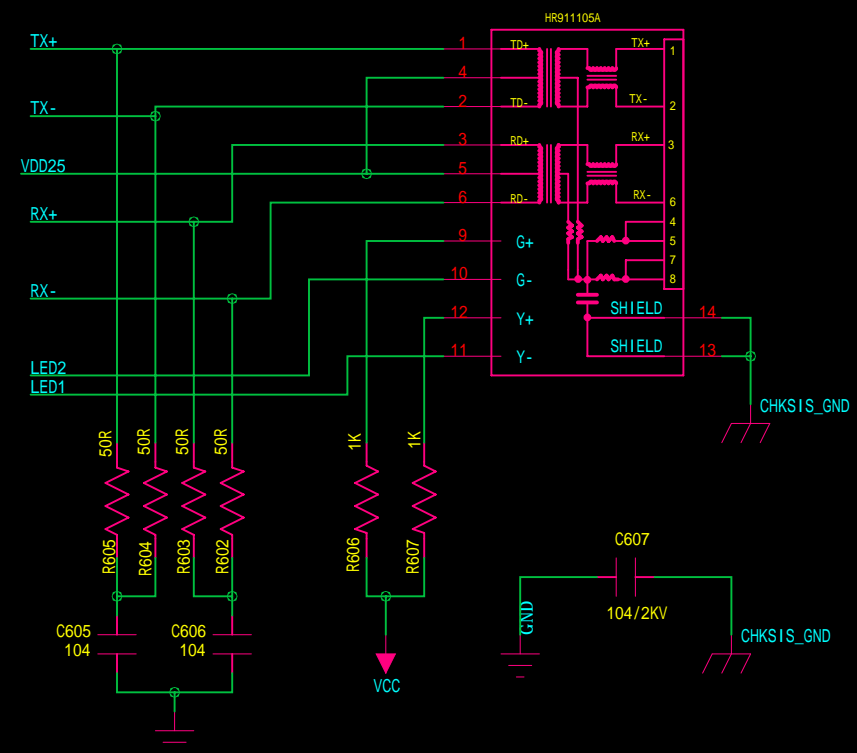
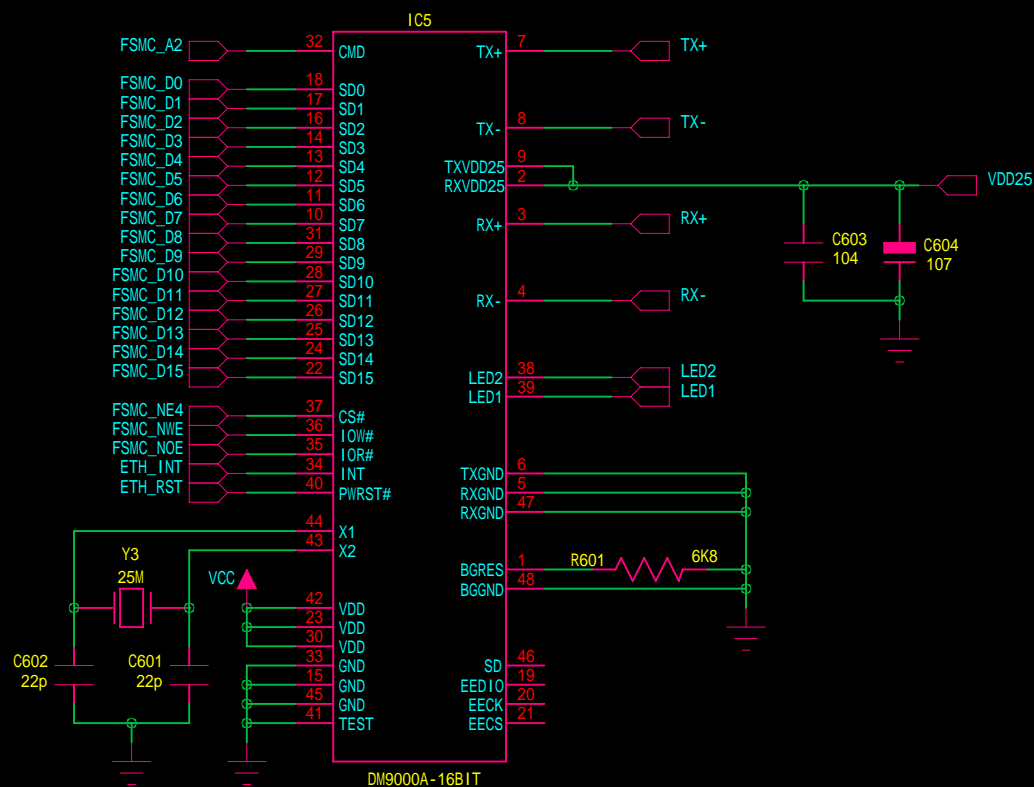
4

3

2

1

REVISION RECORD			
LTR	ECO NO:	APPROVED:	DATE:



ETH

COMPANY: <Company Name>			
TITLE: NET_Radio			
DRAWN: <Drawn By>	DATED: 2009-09-06	CODE: <Code>	SIZE: A3
CHECKED: <Checked By>	DATED: <Checked Date>	DRAWING NO: <Drawing Number>	REV: 1.0
QUALITY CONTROL: <QC By>	DATED: <QC Date>	SCALE: <Scale>	
RELEASED: <Released By>	DATED: <Release Date>	SHEET: 2 OF 5	

6

5

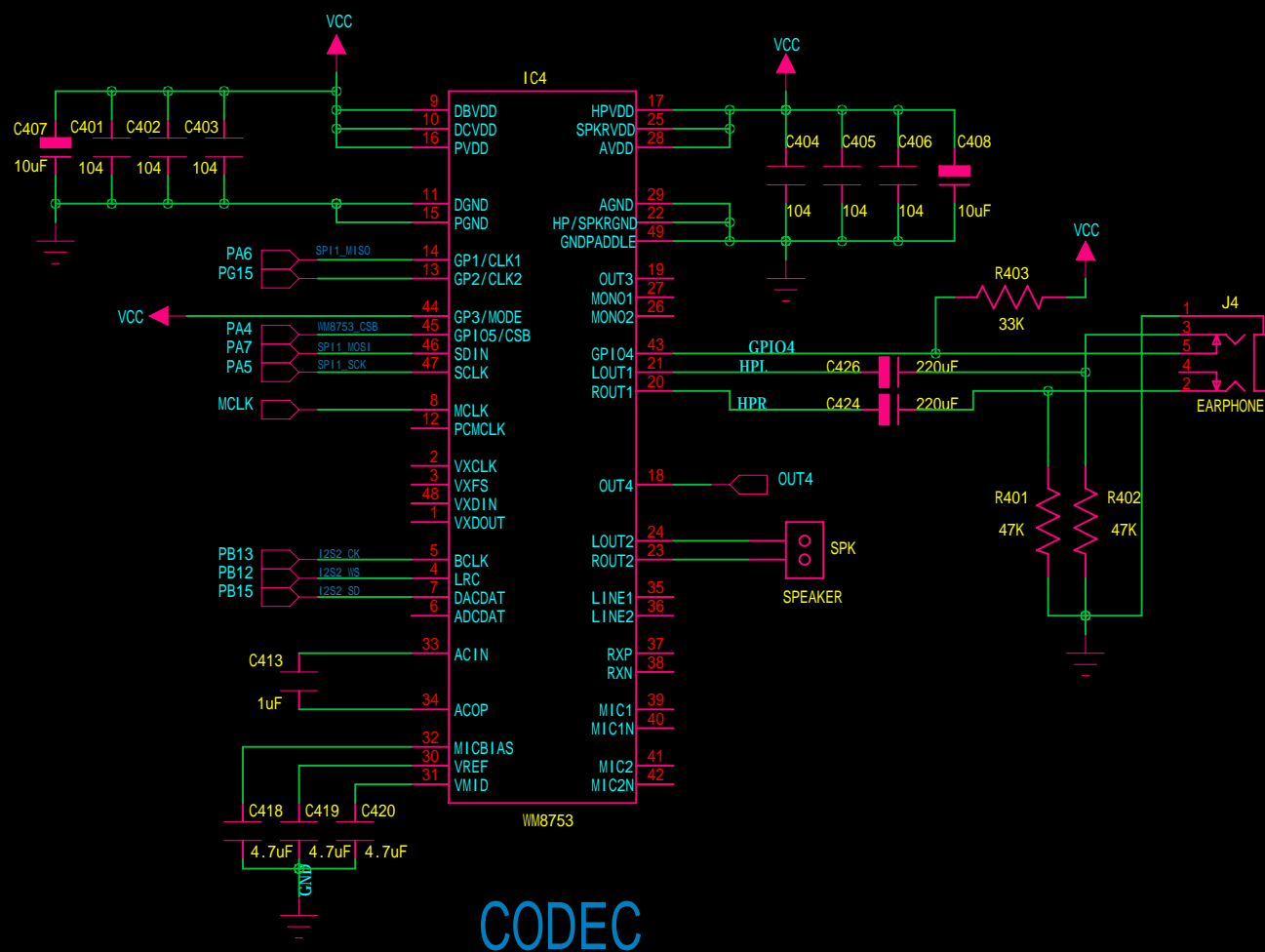
4

3

2

1

REVISION RECORD			
LTR	ECO NO:	APPROVED:	DATE:



CODEC

COMPANY: <Company Name>			
TITLE: NET_Radio			
DRAWN: <Drawn By>	DATED: 2009-09-06	CODE: <Code>	SIZE: A3
CHECKED: <Checked By>	DATED: <Checked Date>	DRAWING NO: <Drawing Number>	REV: 1.0
QUALITY CONTROL: <QC By>	DATED: <QC Date>	SCALE: <Scale>	
RELEASED: <Released By>	DATED: <Release Date>	SHEET: 3 OF 5	

6

5

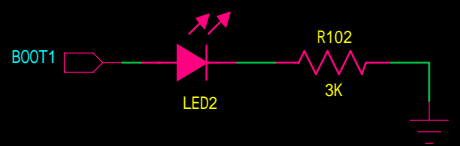
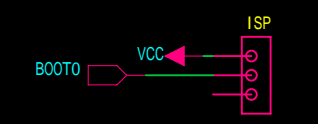
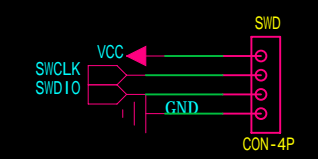
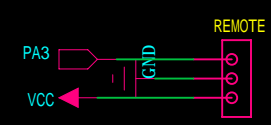
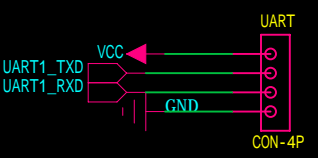
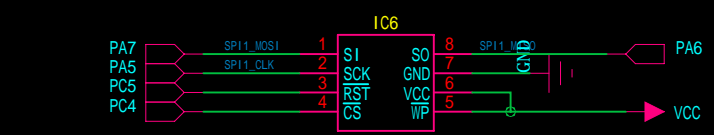
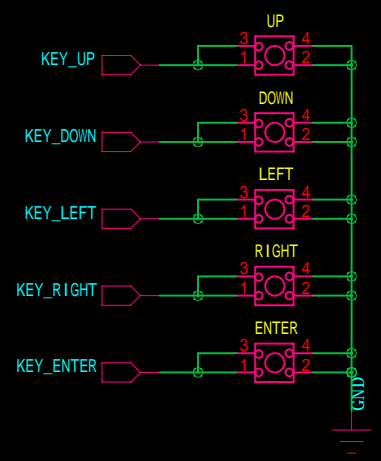
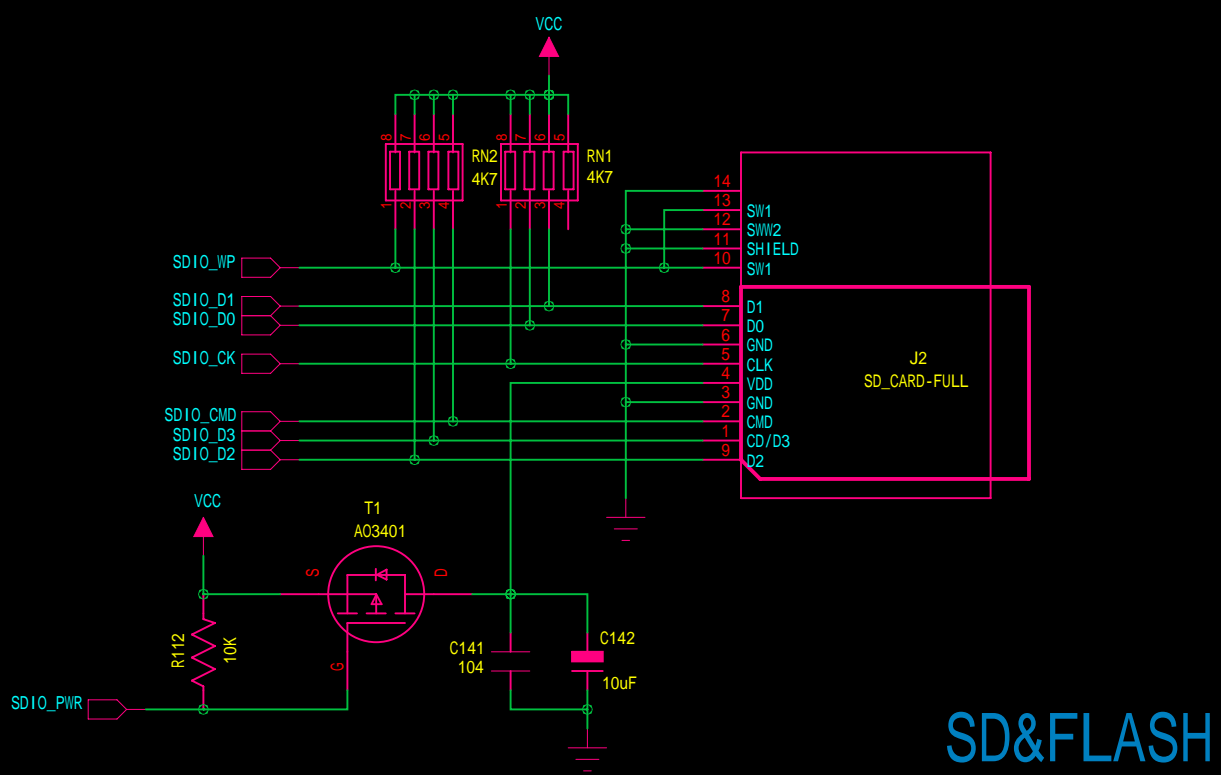
4

3

2

1

REVISION RECORD			
LTR	ECO NO:	APPROVED:	DATE:



COMPANY: <Company Name>

TITLE: NET_Radio

DRAWN: <Drawn By>	DATED: 2009-09-06
CHECKED: <Checked By>	DATED: <Checked Date>
QUALITY CONTROL: <QC By>	DATED: <QC Date>
RELEASED: <Released By>	DATED: <Release Date>

CODE: <Code>	SIZE: A3	DRAWING NO: <Drawing Number>	REV: 1.0
--------------	----------	------------------------------	----------

SCALE: <Scale> SHEET: 4 OF 5

6

5

4

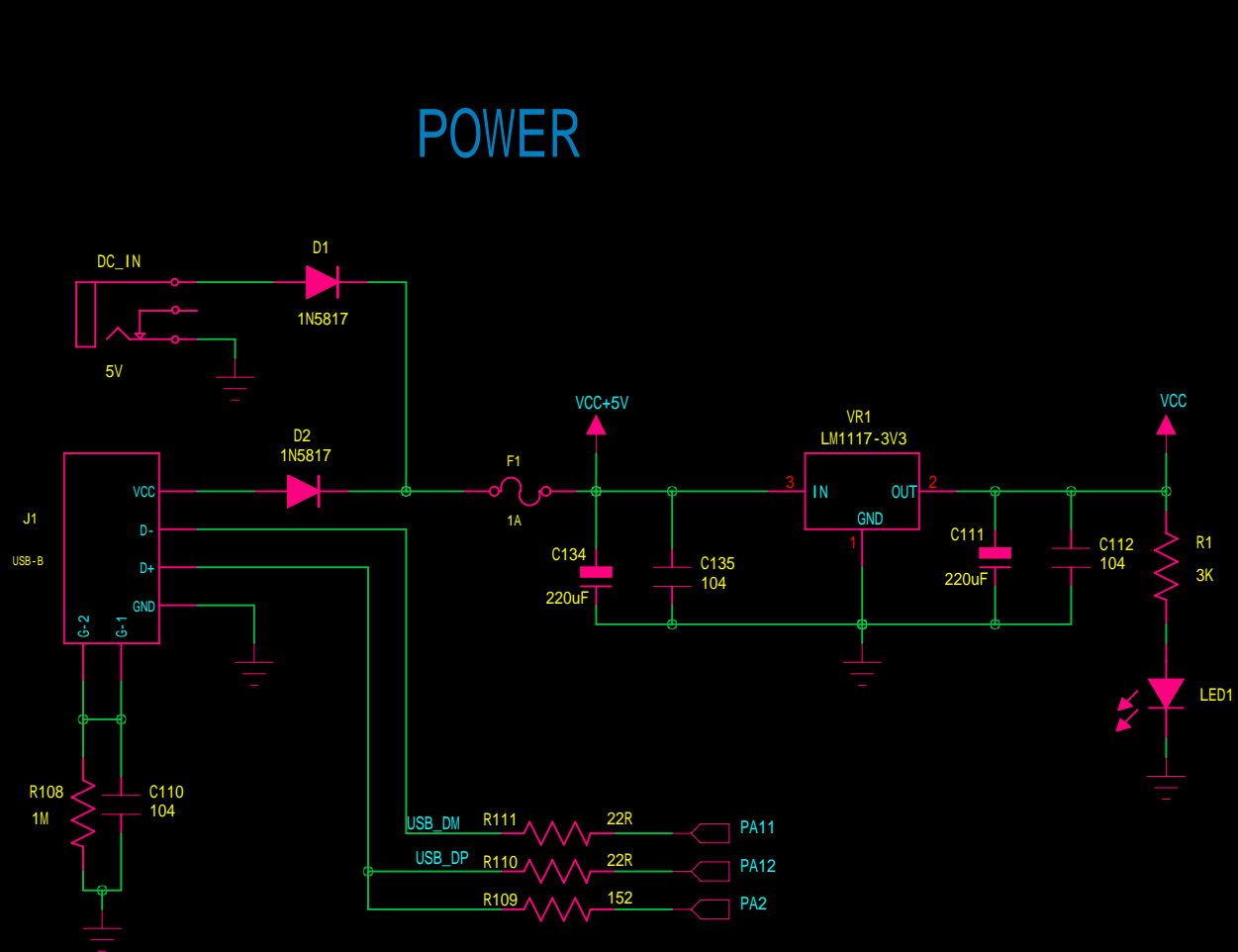
3

2

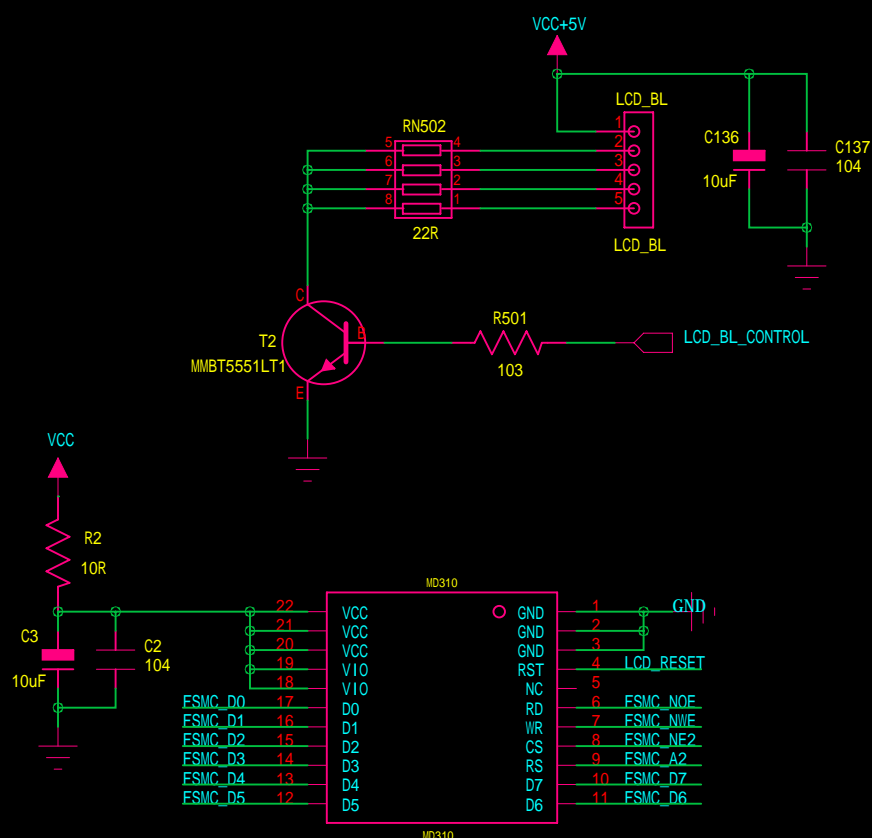
1

REVISION RECORD			
LTR	ECO NO:	APPROVED:	DATE:

POWER



TFT_LCD



COMPANY: <Company Name>			
TITLE: NET_Radio			
DRAWN: <Drawn By>	DATED: 2009-09-06	CODE: <Code>	SIZE: A3
CHECKED: <Checked By>	DATED: <Checked Date>	DRAWING NO: <Drawing Number>	REV: 1.0
QUALITY CONTROL: <QC By>	DATED: <QC Date>	SCALE: <Scale>	
RELEASED: <Released By>	DATED: <Release Date>	SHEET: 5 OF 5	