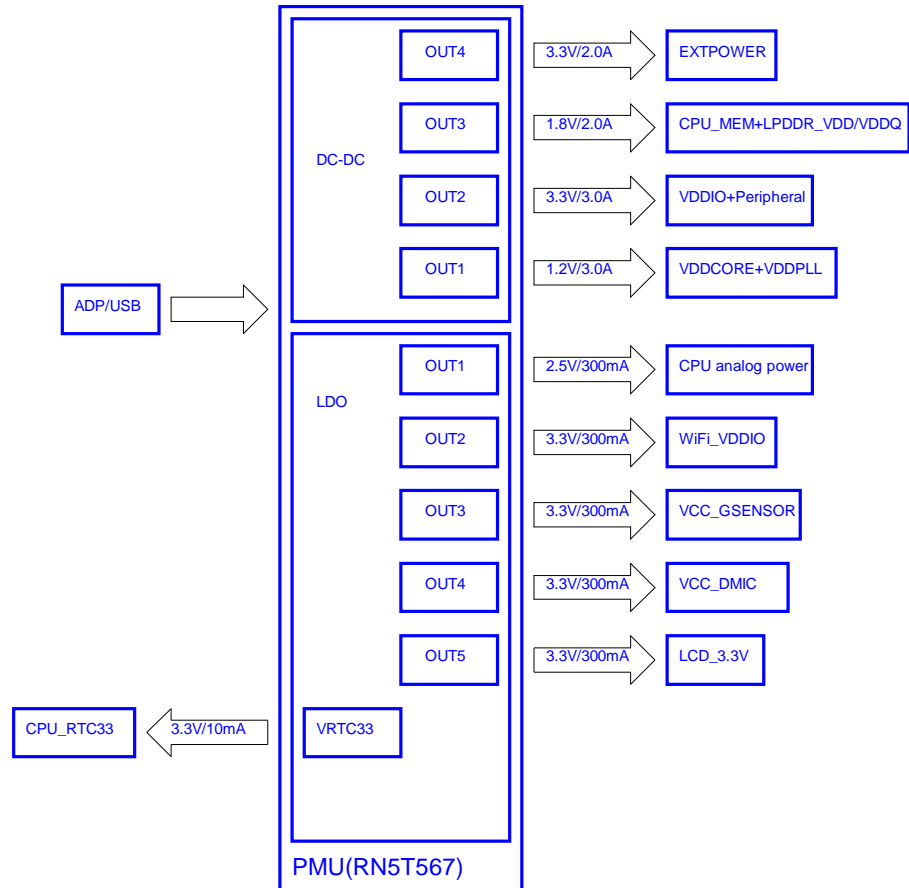
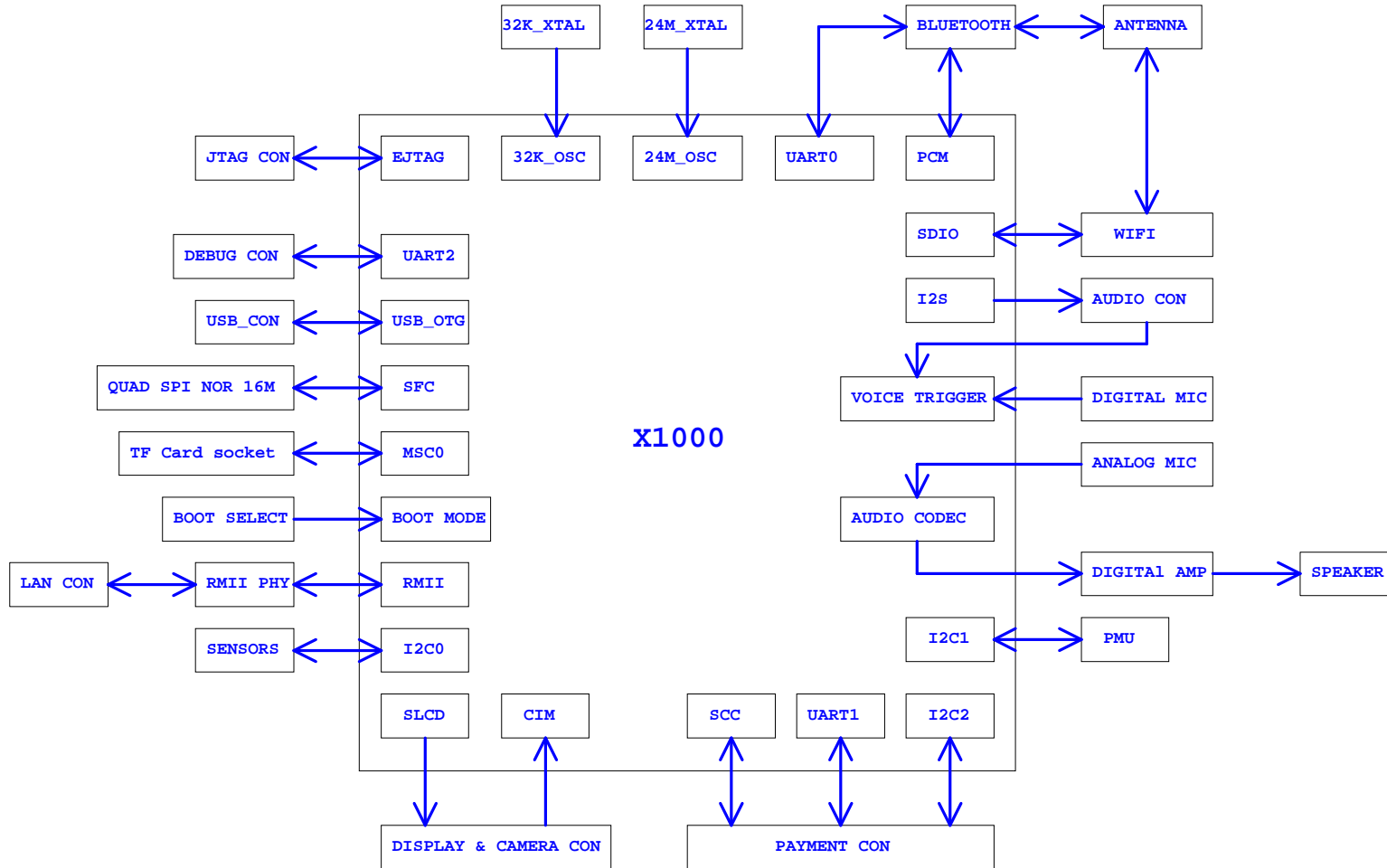




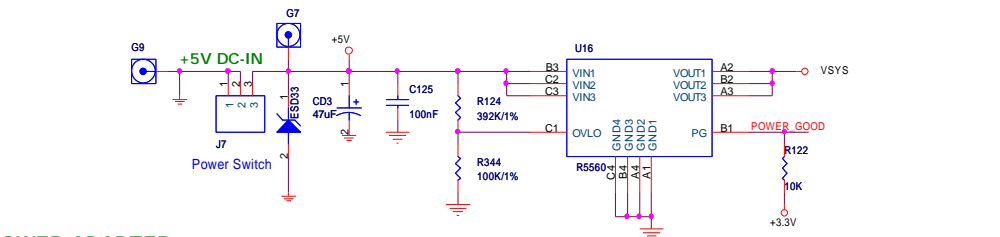
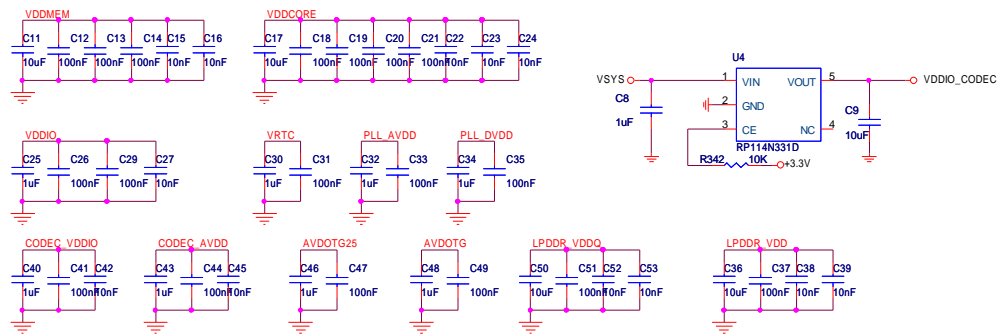
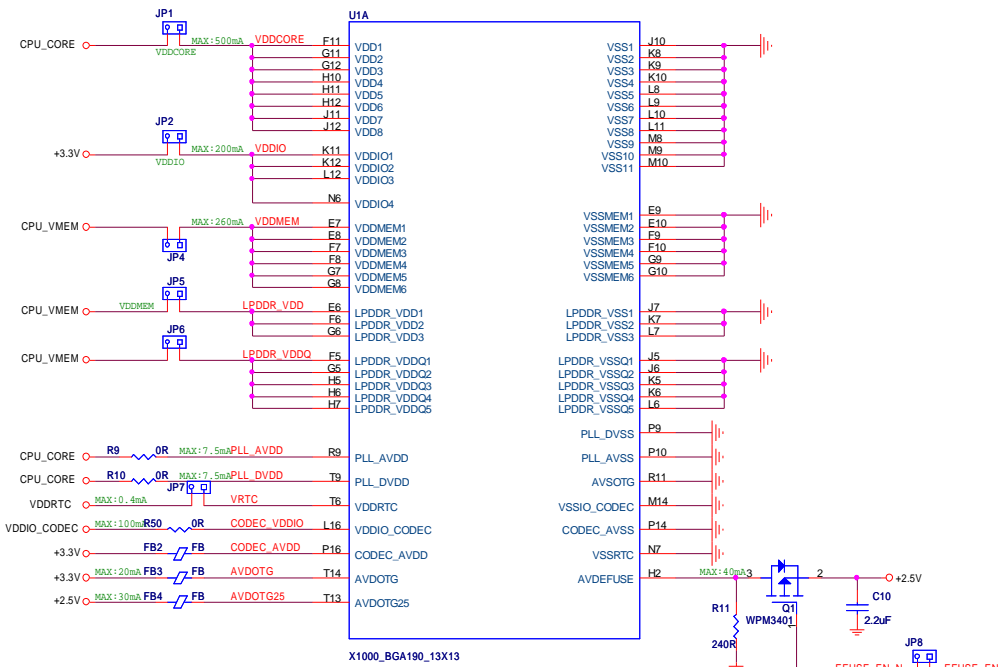
RD_X1000_PHOENIX_BOARD_V2.0

COVER SHEET/POWER ARCHITECTURE	1
SYSTEM ARCHITECTURE	2
CPU_PWR/PMU	3
BOOT/CLK	4
WIFI/BLUETOOTH	5
AUDIO	6
COMMON	7
RMII 10M/100M MAC	8
REVISION HISTORY	9

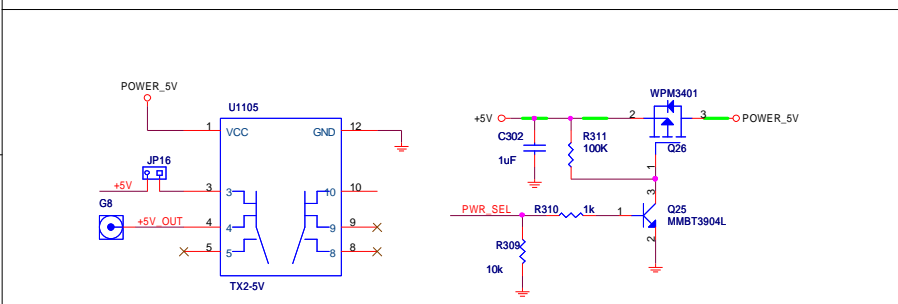
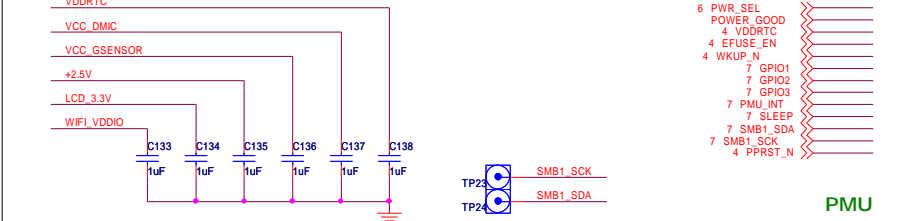
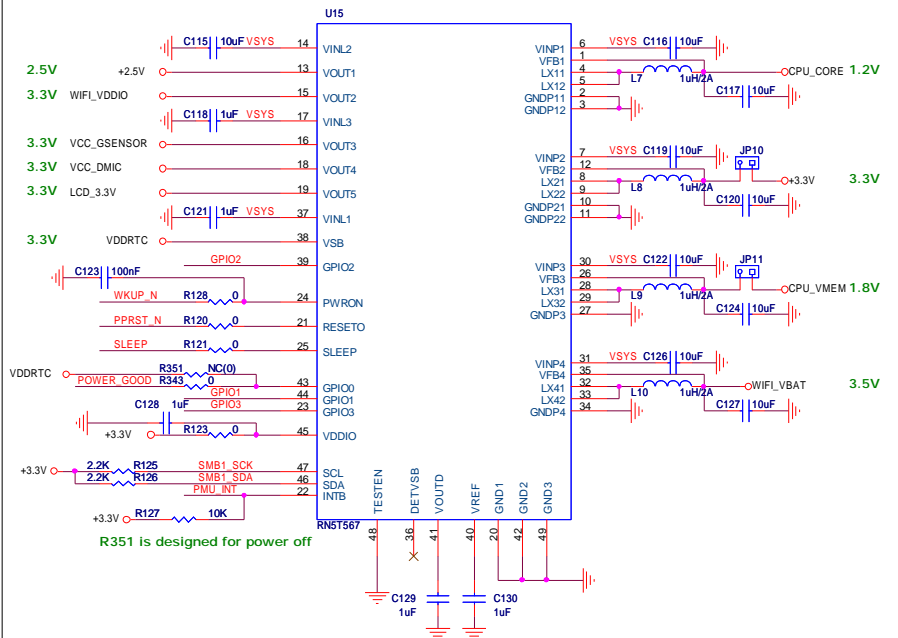




INGENIC SEMICONDUCTOR CO.,LTD		
Title RD_X1000_PHOENIX_BOARD		
Size A3	Document Number SYSTEM ARCHITECTURE	Rev 2.0
Date: Friday, July 31, 2015	Sheet 2	of 9

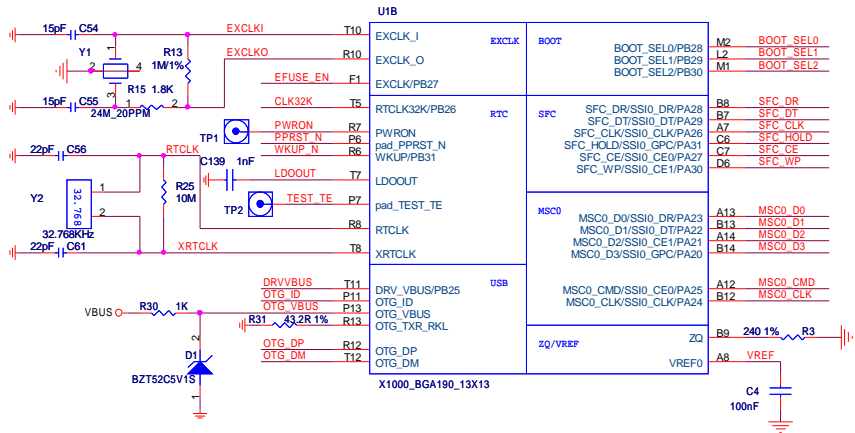


POWER ADAPTER

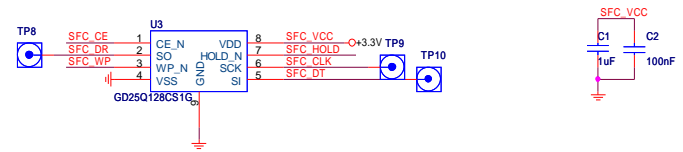


RELAY

INGENIC SEMICONDUCTOR CO.,LTD		
RD_X1000_PHOENIX_BOARD		
File	Document Number	Rev
A3	CPU_PWR/PMU	2.0
Date:	Saturday, August 01, 2015	Sheet 3 of 9



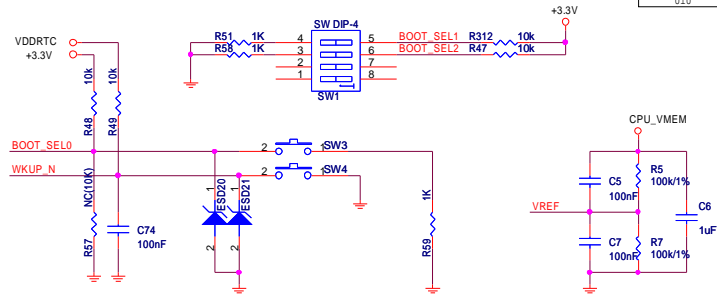
SFC FLASH



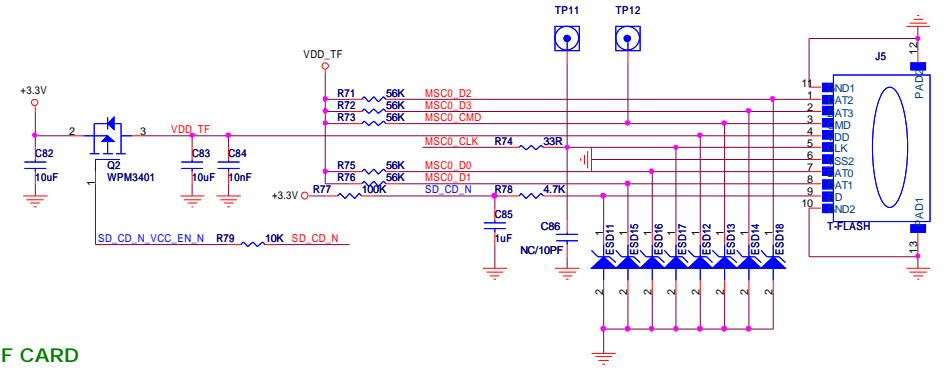
BOOT CFG & VREF

Boot Mode Select

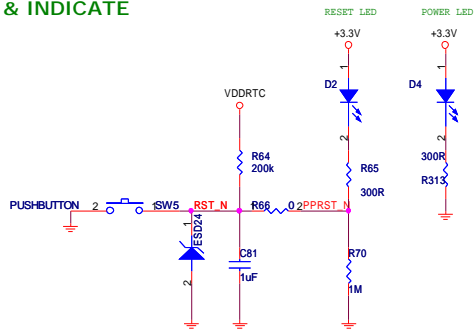
BOOT_SEL[2:1:0]	BOOT FROM
111	SFC Boot @ 26M
011	SFC Boot @ 24M (default)
101	SD Boot @ 26M
001	SD Boot @ 24M
110	USB Boot @ 26M
010	USB Boot @ 24M



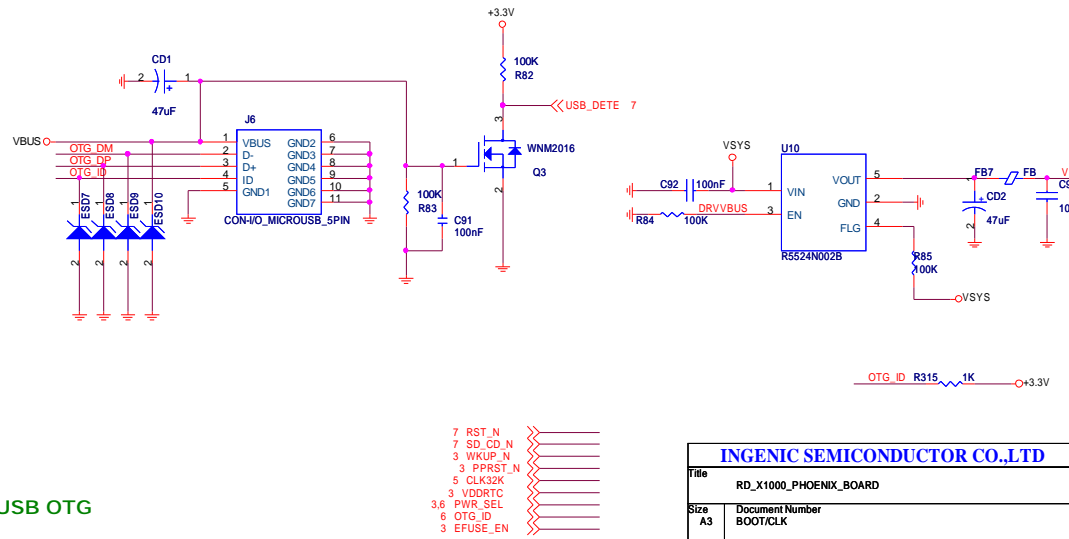
TF CARD



RESET & INDICATE

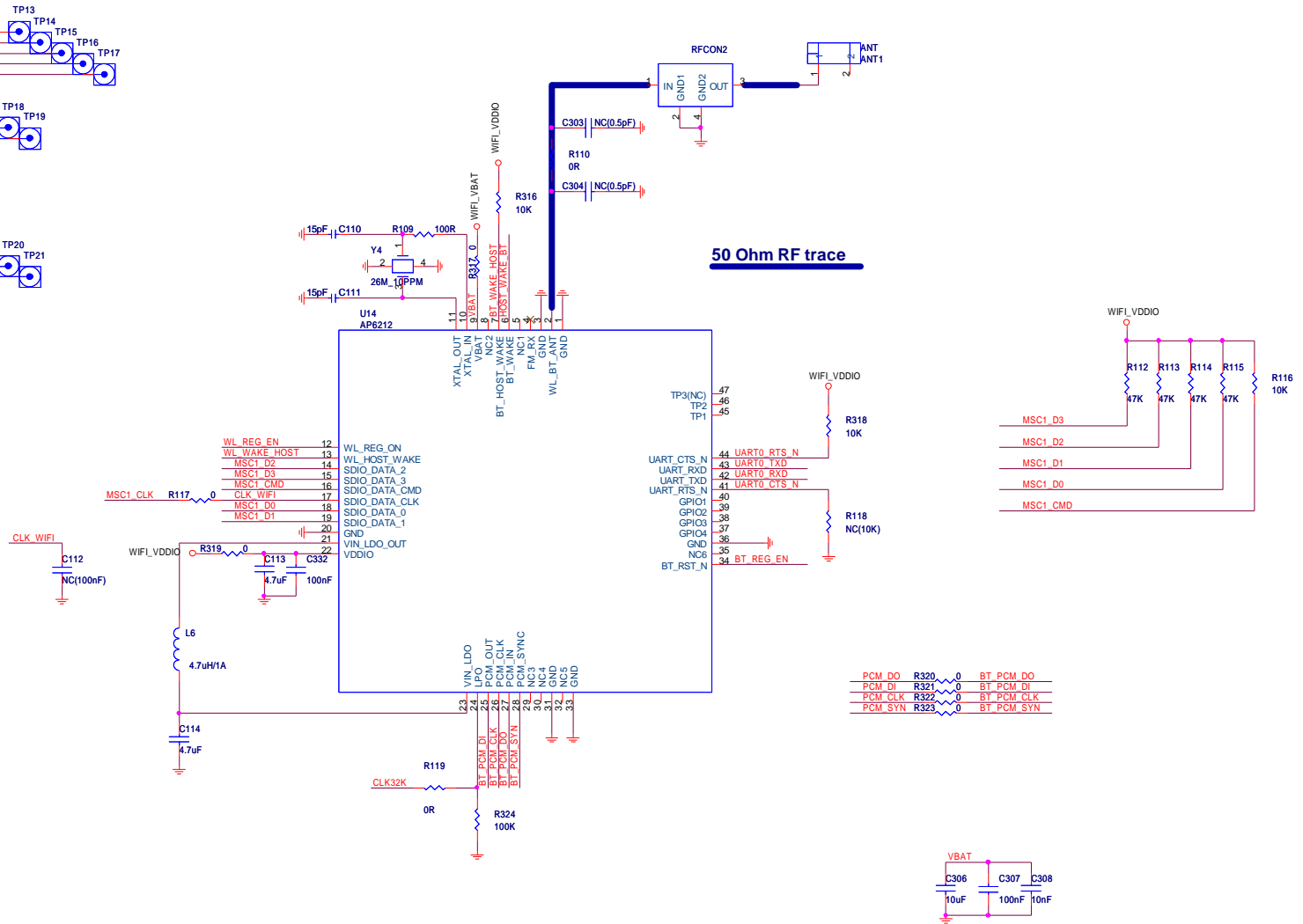
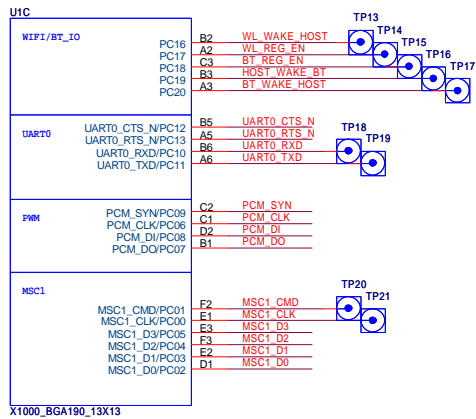


USB OTG

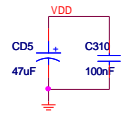
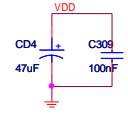
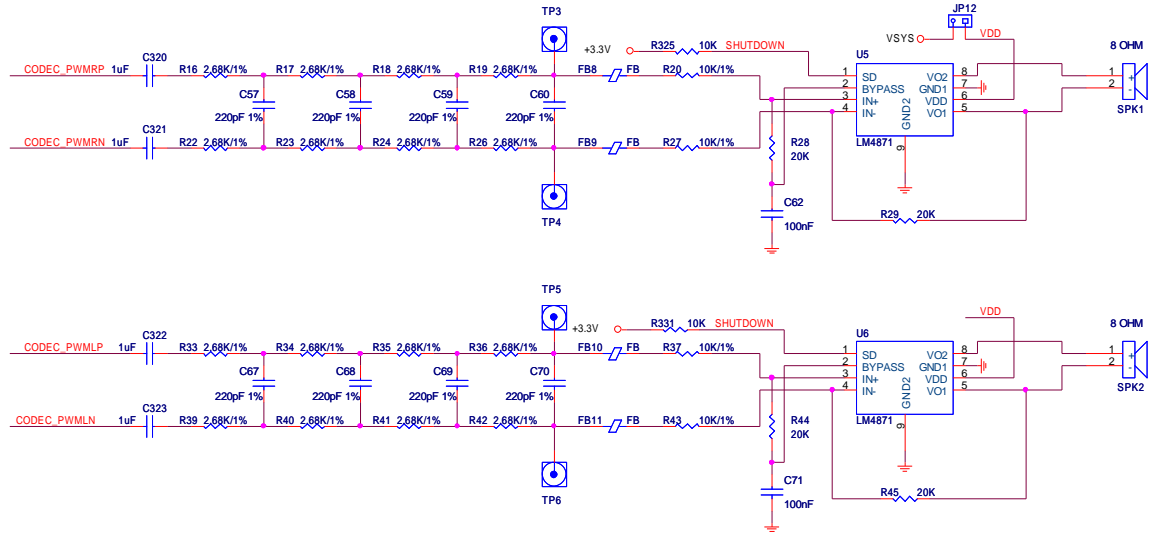
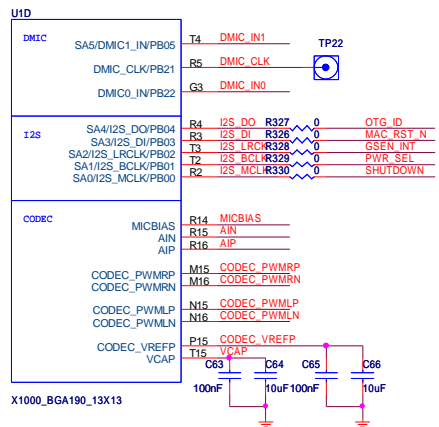


INGENIC SEMICONDUCTOR CO.,LTD

Title		
RD_X1000_PHOENIX_BOARD		
Size	Document Number	Rev
A3	BOOT/CLK	2.0
Date:	Friday, July 31, 2015	Sheet 4 of 9

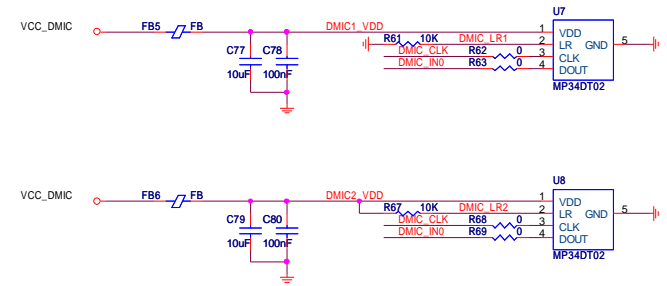


4 CLK32K >>>

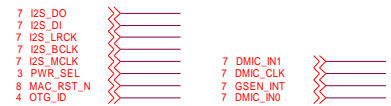
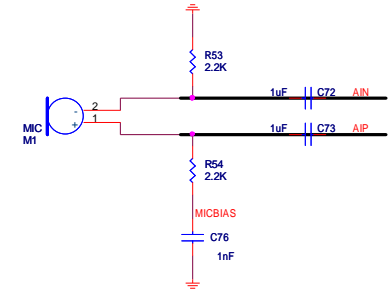


AUDIO AMPLIFIER

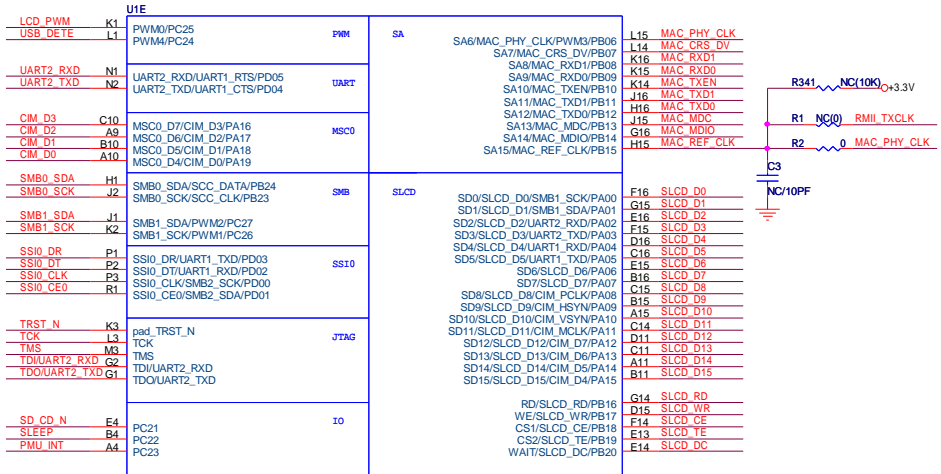
DMIC



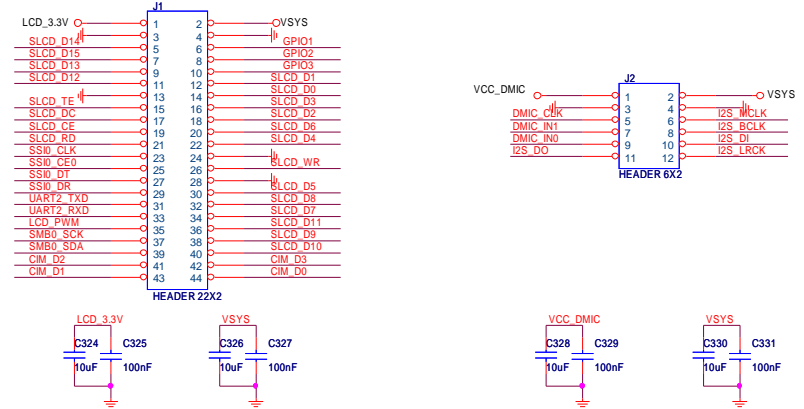
AMIC



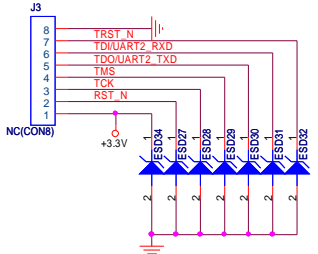
INGENIC SEMICONDUCTOR CO.,LTD		
Title RD_X1000_PHOENIX_BOARD		
Size A3	Document Number AUDIO	Rev 2.0
Date: Friday, July 31, 2015	Sheet 6	of 9



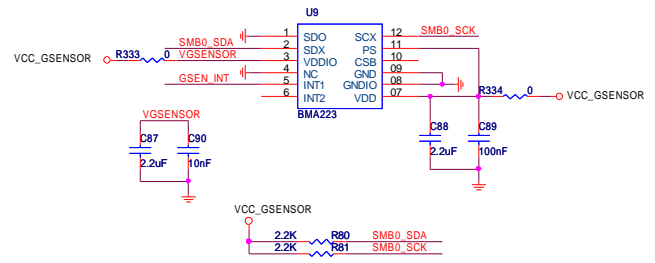
X1000_BGA190_13X13



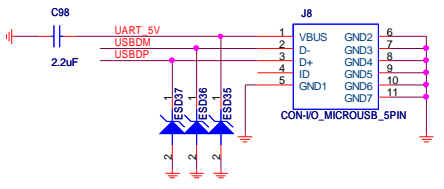
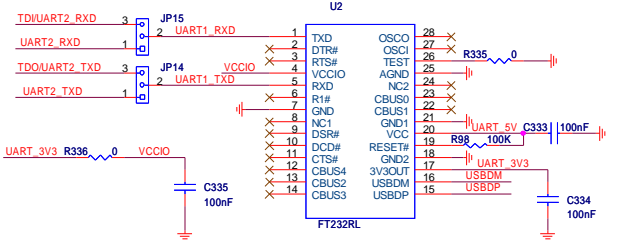
LCD & CIM & I2S



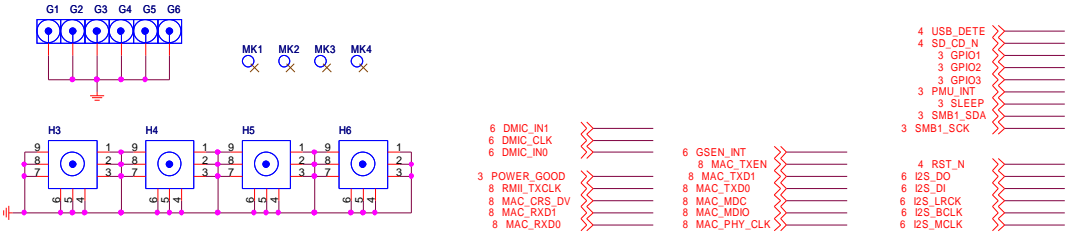
JTAG



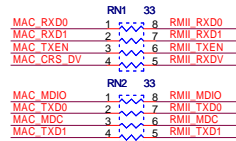
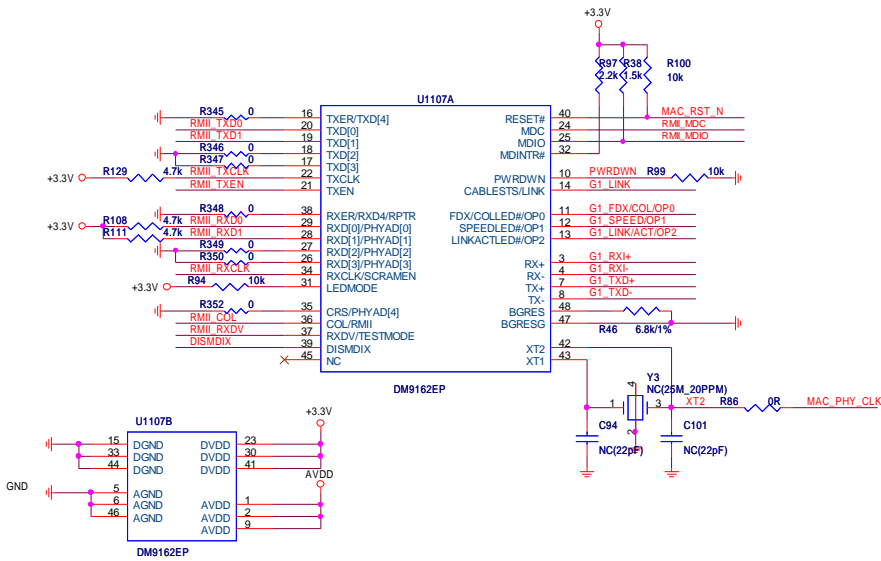
GSENSOR



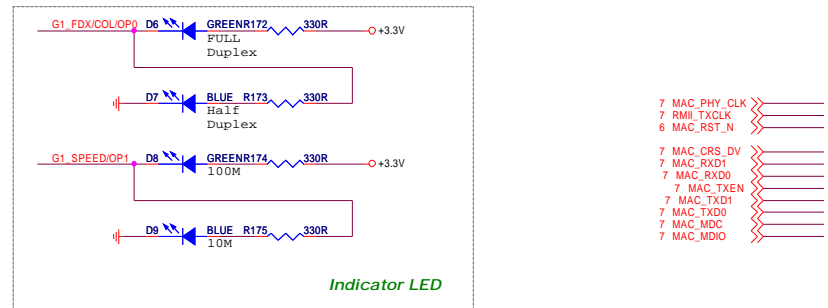
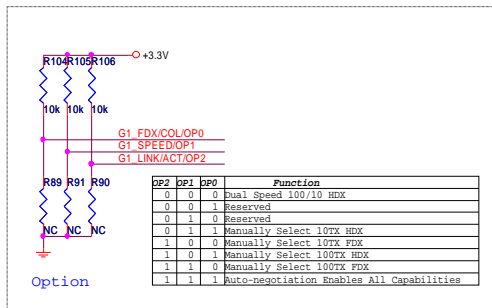
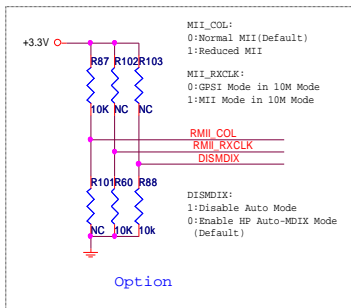
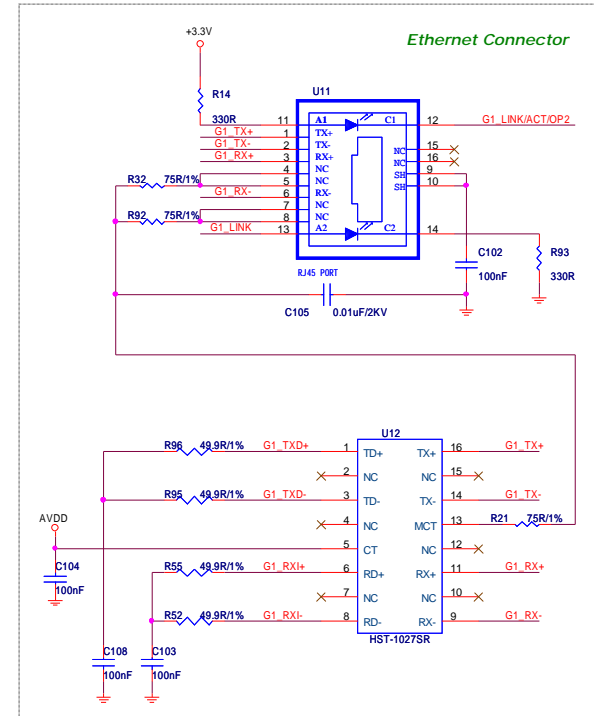
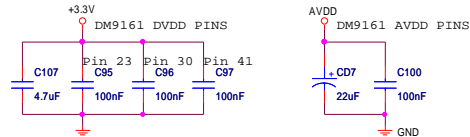
USB to RS232(for debug only)



INGENIC SEMICONDUCTOR CO.,LTD		
Title RD_X1000_PHOENIX_BOARD		
Size A3	Document Number COMMON	Rev 2.0
Date: Friday, July 31, 2015	Sheet 7	of 9



Place the capacitances near the pins



Data	Revision	Change
Apr 02 2014	Rev1.0	1. First Revision
Jul 24 2014	Rev2.0	1. PAGE08: Change MAC circuit from LAN8720 to DM9162 2. PAGE07: Change UART circuit to USB-RS232(FT232) 3. PAGE05: Delete C305 4. PAGE03: Add R351 for power on/off 5. PAGE04: Delete D3 and R314 6. PAGE03: Pull U4 CE to +3.3V

INGENIC SEMICONDUCTOR CO.,LTD		
Title RD_X1000_PHOENIX_BOARD		
Size A3	Document Number REVISION HISTORY	Rev 2.0
Date: Friday, July 31, 2015		Sheet 9 of 9