

6 5 4 3 2 1

REVISION RECORD			
LTB	ECD NO.	APPROVED:	DATE:

D

D

C

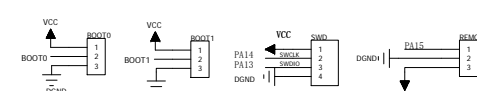
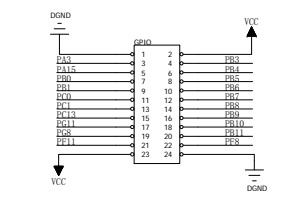
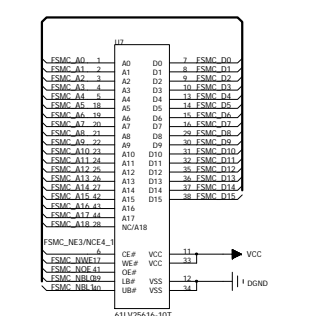
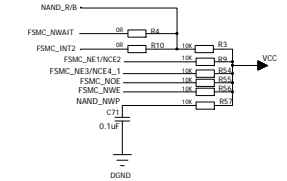
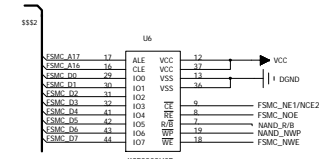
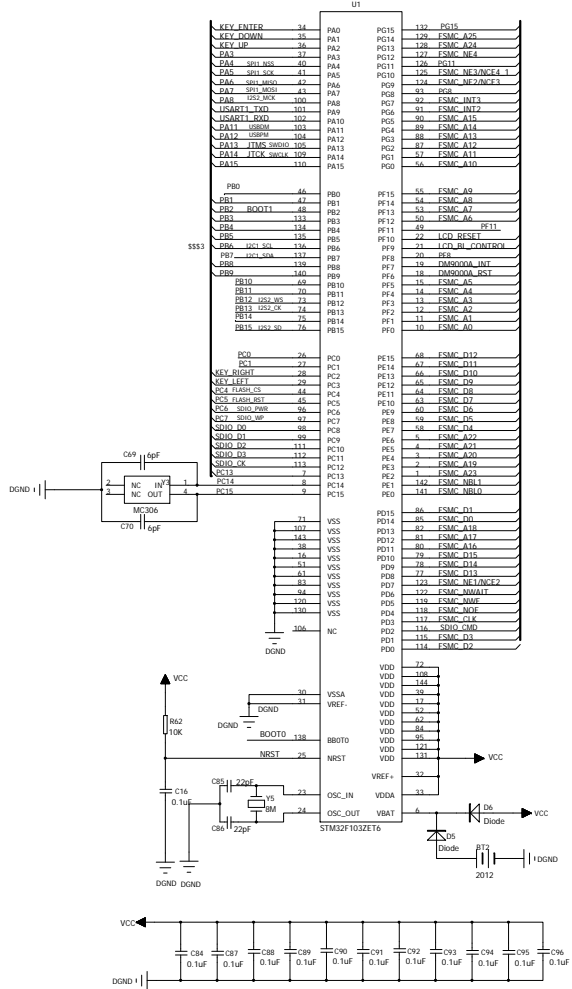
C

B

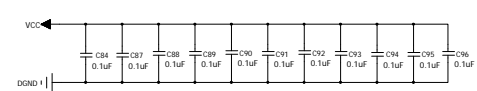
B

A

A



12 12-Start from Embedded SRAM  
 12 23-Start from System memory  
 23 12-Start from Main Flash memory  
 23 23-Start from Main Flash memory



COMPANY:			
TITLE: Web Radio			
DRAWING NO:	SIZE: C	DRAWING NO:	REV: V0.01
SCALE:			

DRAWN:	DATED:
CHECKED:	DATED:
QUALITY CONTROL:	DATED:
RELEASED:	DATED:

6

5

4

3

2

1

REVISION RECORD			
LTR	ECO NO.	APPROVED:	DATE:

D

D

C

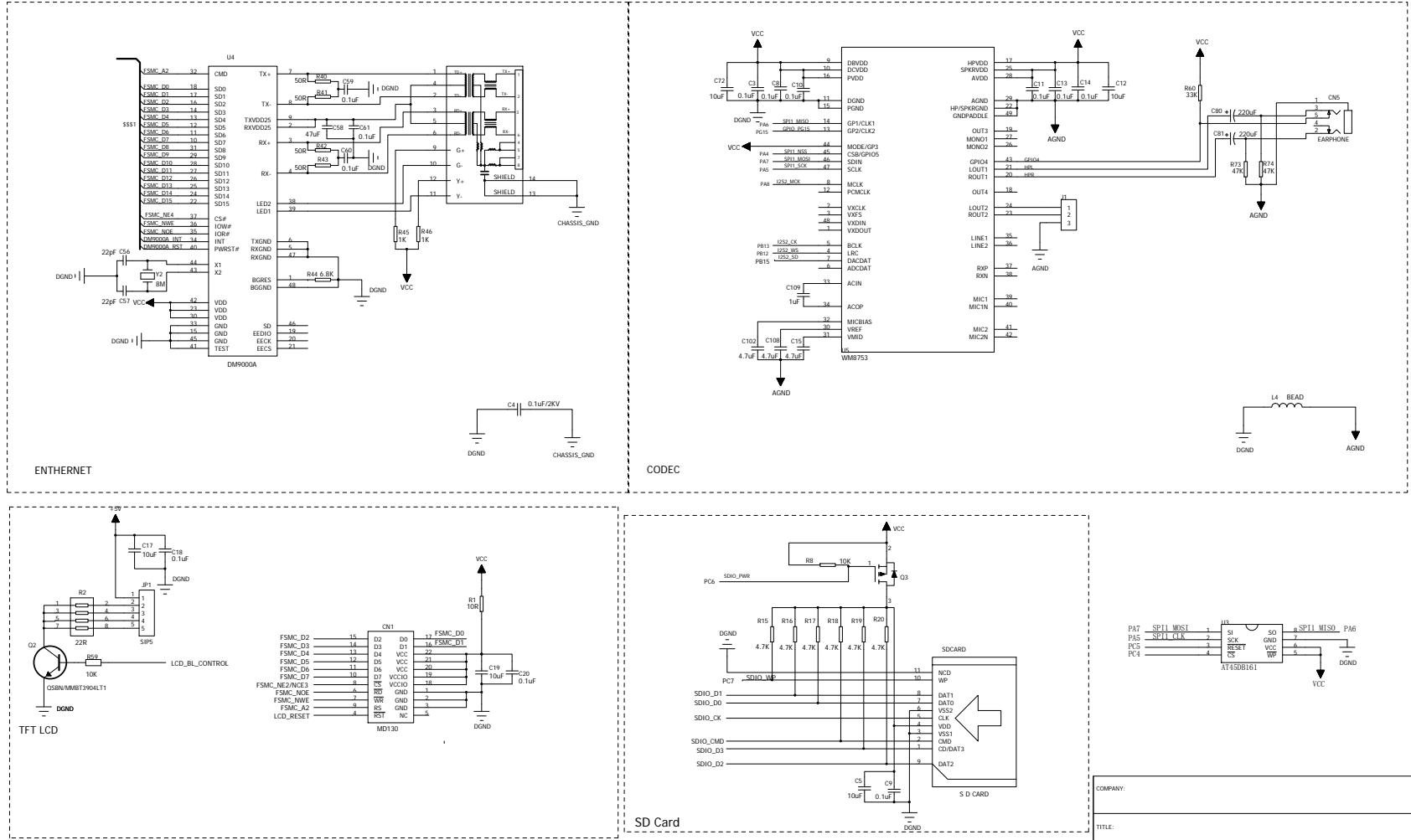
C

B

B

A

A

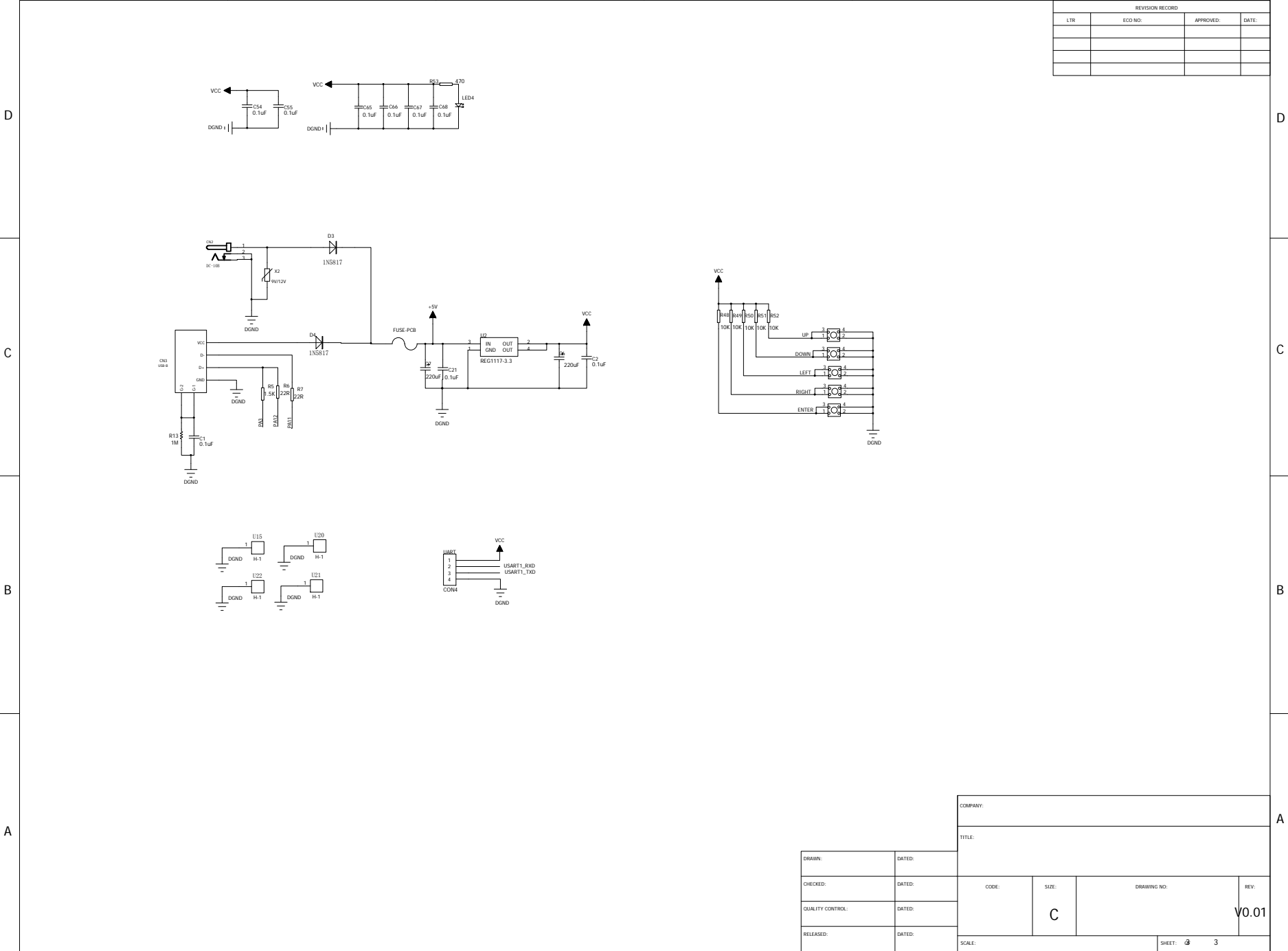


DESIGN:	DATED:
CHECKED:	DATED:
QUALITY CONTROL:	DATED:
RELEASED:	DATED:

COMPANY:			
TITLE:			
CODE:	SIZE:	DRAWING NO:	REV:
	C		V0.01
SCALE:	SHEET:	3	

6 5 4 3 2 1

REVISION RECORD			
LT#	ECO NO.	APPROVED:	DATE:



DRAWN:		DATED:		COMPANY:	
CHECKED:		DATED:		TITLE:	
QUALITY CONTROL:		DATED:		CODE:	SIZE: C
RELEASED:		DATED:		DRAWING NO:	REV: V0.01
SCALE:				SHEET: 3	