

6 5 4 3 2 1

REVISION RECORD			
LTB	ECD NO.	APPROVED:	DATE:

D

C

B

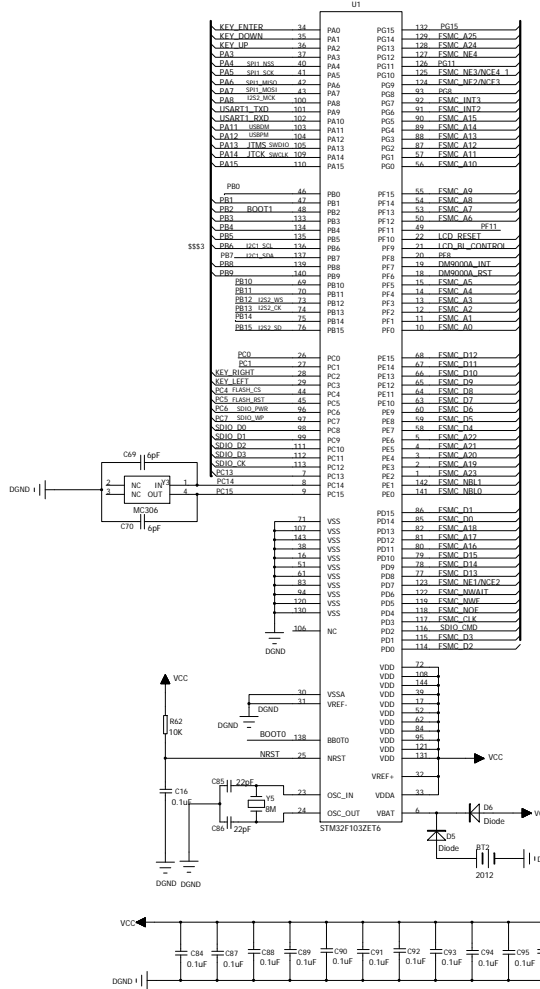
A

D

C

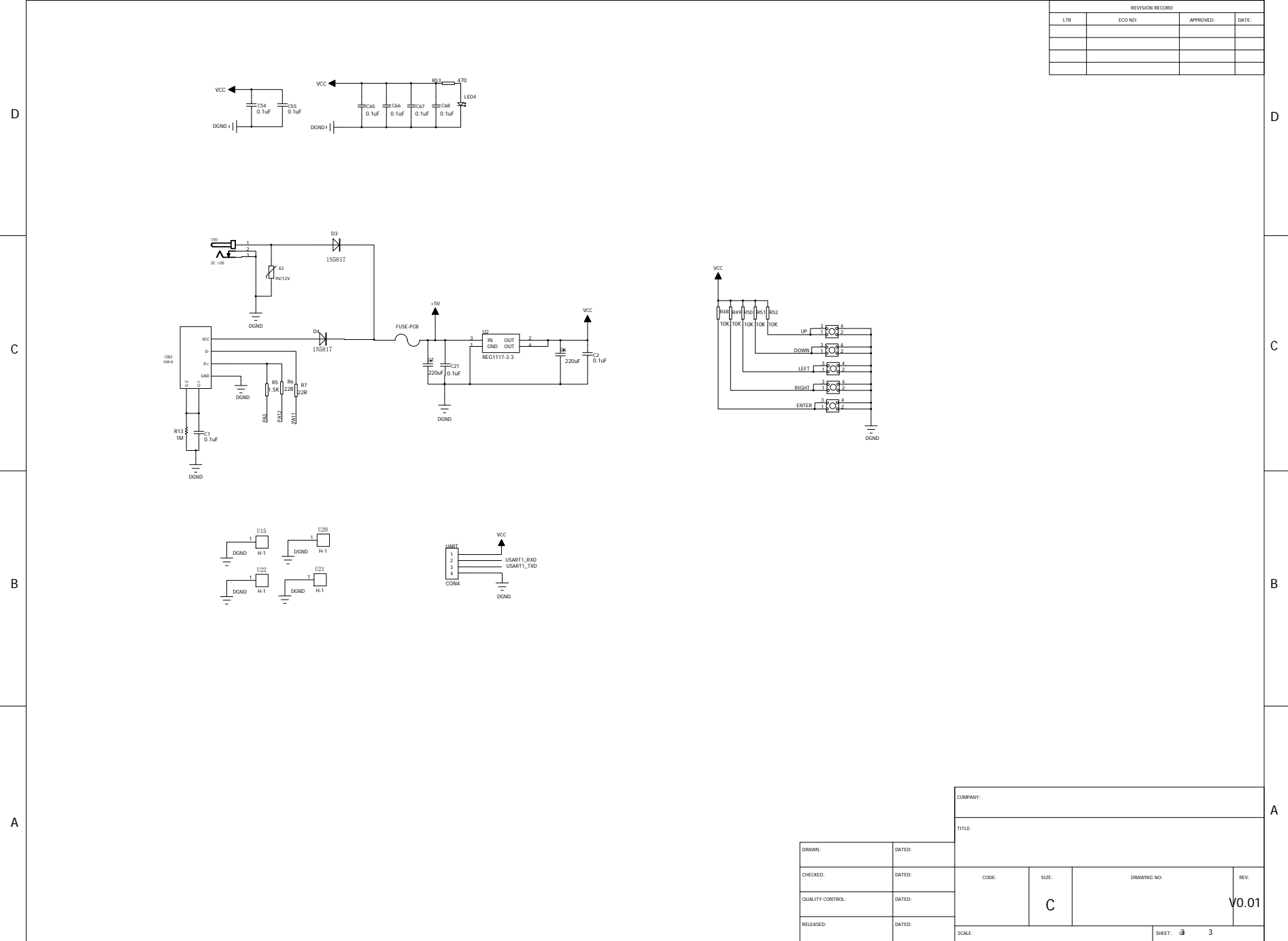
B

A



6 5 4 3 2 1

REVISION RECORD			
LT#	ECO NO.	APPROVED:	DATE:



DRAWN:		DATED:		COMPANY:			
CHECKED:		DATED:		TITLE:			
QUALITY CONTROL:		DATED:		CODE:	SIZE:	DRAWING NO.:	REV:
RELEASED:		DATED:		C		V0.01	
SCALE:				SHEET: 3			