

6

5

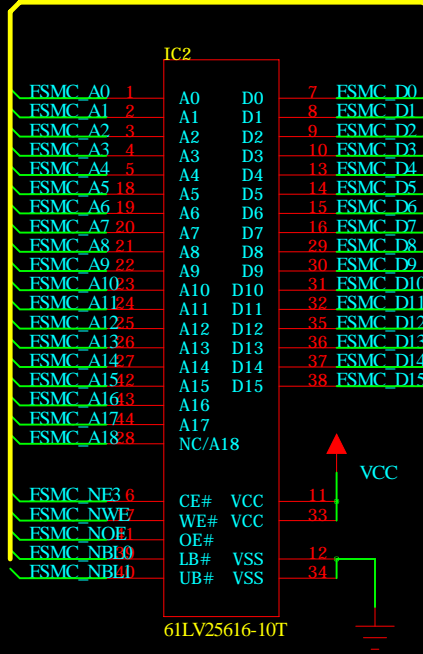
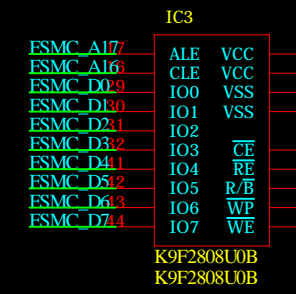
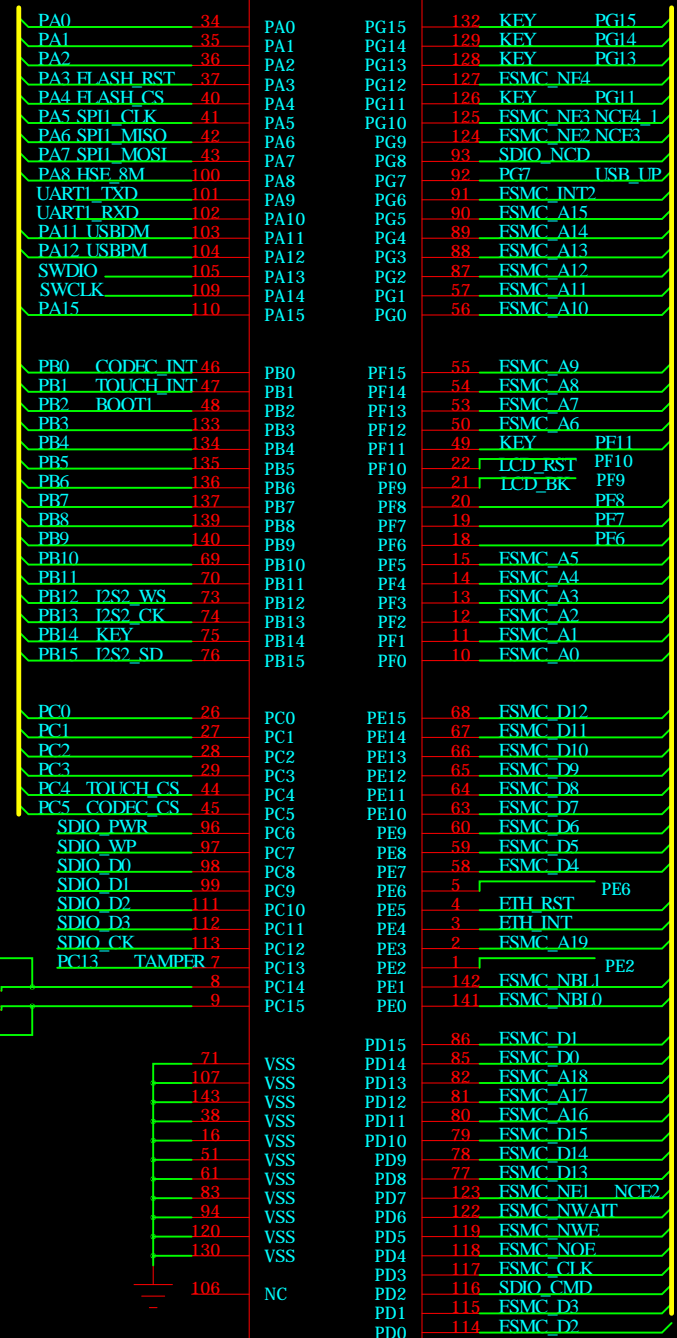
4

3

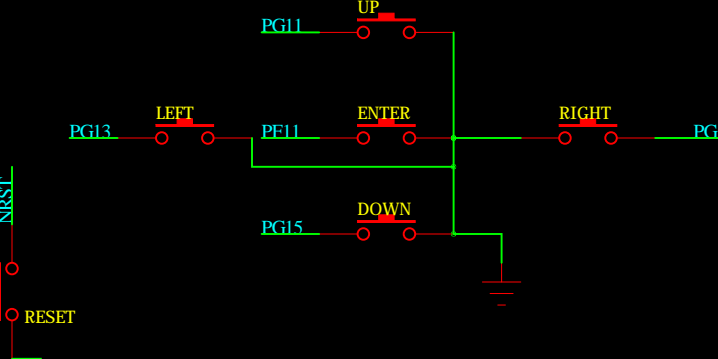
2

1

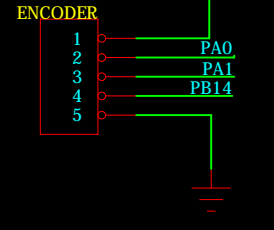
# MCU



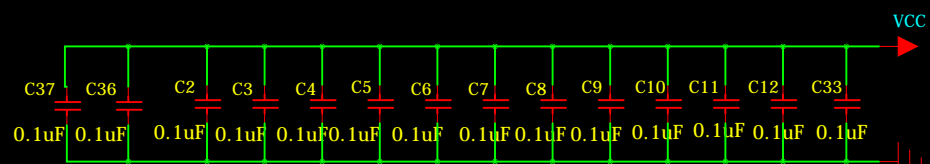
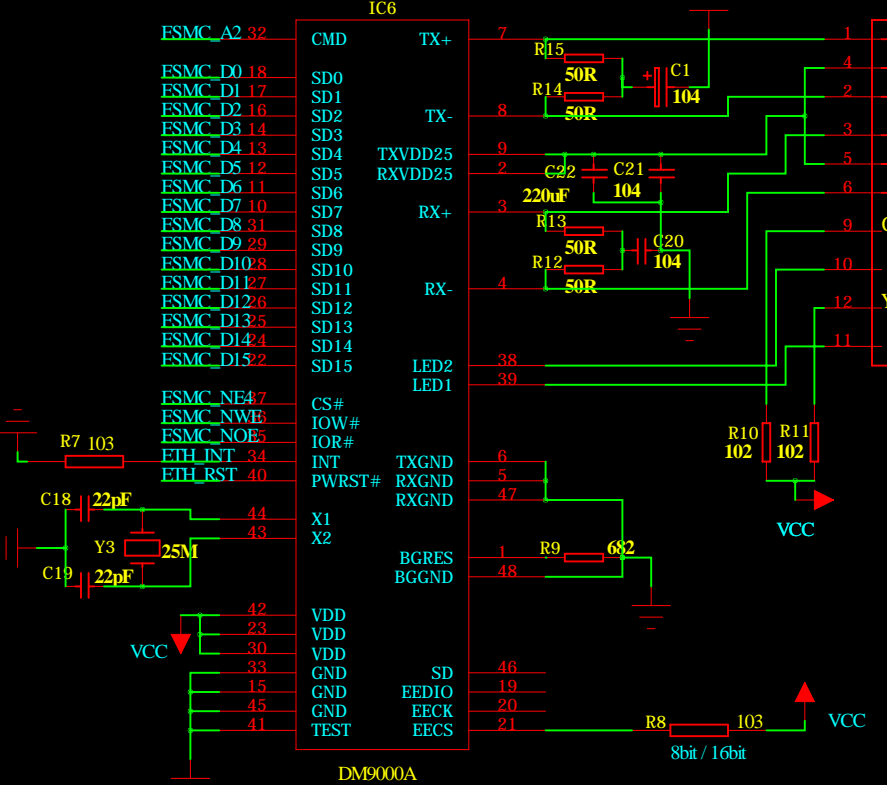
# KEY



# ENCODER



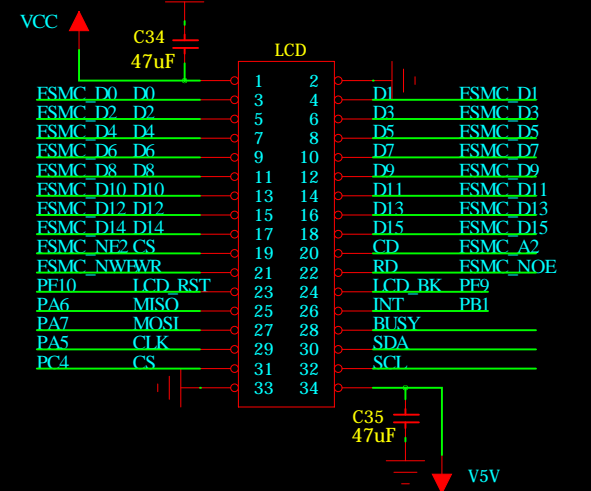
# ETH



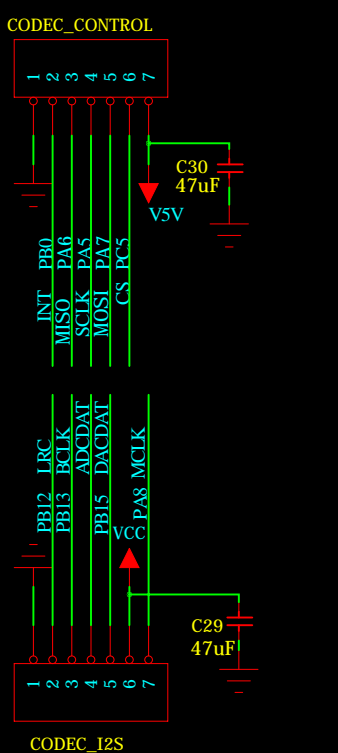
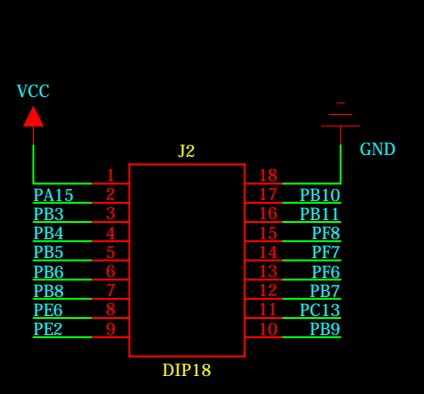
# SD

SRAM	NE3
NAND	NE1
LCD	NE2
ETH	NE4

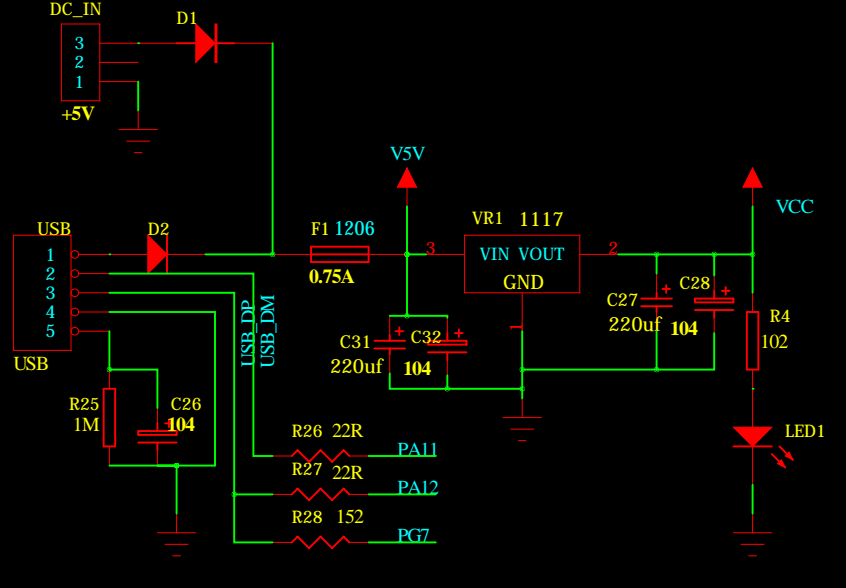
# LCD



# CODEC



# POWER



< RT-thread >

< Net-Radio >

DRAWN:	DATED:
CHECKED:	DATED:
QUALITY CONTROL:	DATED:
RELEASED:	DATED:

COMPANY:			
TITLE:			
CODE:	SIZE:	DRAWING NO:	REV:
<Code>	C		<REV.2.0>
SCALE: <Scale>			
SHEET: 1 of 1			